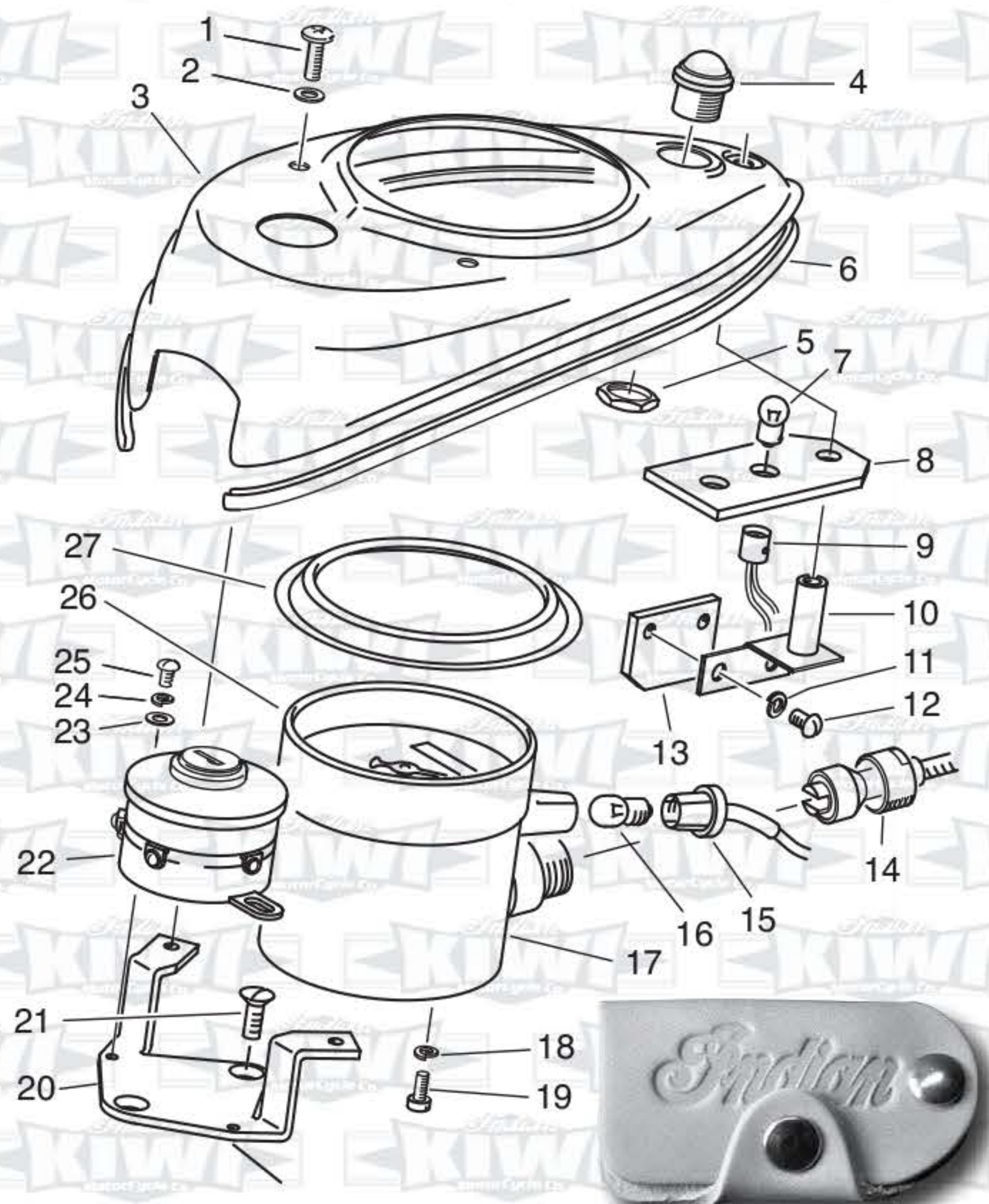


INSTRUMENT PANELS

1952-53

No.	Part No.	Description	Year
1	757002-K	Screw kit: Panel mounting, stainless, set of 3	48-53
2	757002-W	Anti marking washers: Set of 3	
Note: This is not stock but these nice protective washers save your chrome from getting scratched			
3	629004	Panel: Steel, chrome	48-53
4	545007	Lens: Generator warning light, incl #5	48-53
5		Nut: Included with lens	48-53
6	832002	Rubber strip: Panel	48-53
7	243004	Bulb: Generator warning, 6v	48-53
7	243004-V	Bulb: Generator warning light, 12v	48-53
8	628005	Pad: Bulb socket mounting.	48-53
9	799005	Socket: Bulb, generator warning light	48-53
10	237038	Bracket: Rear panel and bulb pad mounting	48-53
11	922004	Lock washer #10 10/pk	48-53
12	754403	Screw RHMS #10-32 x 1/4" 5/pk	48-53
13	KI-10905	Bracket: Welds to frame	48-53
14	277002	Cable: Fits original speedometers	52-53
14	277002-R	Cable: Fits replacement universal speedometer 804001R	
15	102183	Socket: Speedometer thread in bulb	52-53
15	102183-R	Socket: Replacement, bayonet style bulb	52-53
16	100683	Bulb: Speedo, Corbin, original, threaded, 6v	52-53
16	100683-V	Bulb: Speedo, Corbin, original, threaded, 12v	52-53
16	100683-R	Bulb: Speedo, Corbin, replacement, bayonet, 6v	52-53
16	100683-RV	Bulb: Speedo, Corbin, replacement, bayonet, 12v	52-53
17	804001	Speedometer: 110 mph, black face, disc #'s	52-53
17	804017	Speedometer: 110 mph, drum odometer	52-53
17	804001-R	Speedometer: 110 mph, replacement, black face	52-53
17	804001-REL	Speedometer: Replacement electronic with pick up sensor	52-53
18	922004	Lock washer #10 5/pk	52-53
19	754407	Screw Fil Hd #10-32 x 1/2" 5/pk	52-53



161020 - KIWI Indian Key Case in leather. Protects the dash against key scratches.

1952-53

Continued

No.	Part No.	Description	Year
20	237034	Bracket: Front panel & switch mounting	52-53
21	750607-K	Screw kit: Flat Hd 1/4-20 x 1/2", pr	48-53
22	1841002	Ignition switch: Distr ign, universal	52-53
Note: Kiwi manufactured 48-53 ignition switches have upgraded internals that last far longer than original switches.			
23	920002	#6 flat washer 10/pk	52-53
24	922002	#6 split LW 10pk	52-53
25	754105	#6-32 x 3/8" RHMS 5/pk	52-53
26	101561	Bezel & glass assy, chrome	52-53
27	165003	Adapter ring	52-53

