

# INSTRUMENT PANELS

## 1938-47

No.	Part No.	Description	Year
1	45014-K	Screw & cup washer kit: Stainless, pr	38-47
2	45014-K	Screw & cup washer kit: Stainless, pr	38-47
3	629003	Instrument panel: Polished	38-47
4	KI-11500	Rubber strip: Instrument Panel Not reqd. when using KI-11500 rubber	38-47
5	43071-K	Spacer kit: Panel to bracket, pr	38-47
6	101561	Bezel & glass assy, chrome	38-47
7	75206	Speedometer: Gray face/red lettering	1938
7	75384	Speedometer: 130 mph, black face	39-40
7	75885	Speedometer: 110 mph, black face	41-45
7	804001	Speedometer: 110 mph, black face/red odometer bar	46-47
7	804001-R	Speedometer: 110 mph, replacement, black face	38-47
7	804001-RE	Speedometer: replacement electronic, includes pick up sensor	38-47
8	100683	Bulb: Speedo, Corbin, original, threaded, 6v	38-47
8	100683-V	Bulb: Speedo, Corbin, original, threaded, 12v	38-47
8	100683-R	Bulb: Speedo, Corbin, replacement, bayonet, 6v	38-47
8	100683-RV	Bulb: Speedo, Corbin, replacement, bayonet, 12v	38-47
9	102183	Socket: Speedometer thread in bulb	38-47
9	102183-R	Socket: Replacement, bayonet style bulb	38-47
10	277002	Cable: Fits original speedometers	38-47
10	277002-R	Cable: Fits replacement universal speedometer 804001R	
<p><b>Note:</b> Corbin is a licensed trademark and is used with permission. Kiwi Corbin Speedometers are a high quality reproduction which you will be extremely pleased with.</p>			
11	41303	Mounting plate: Panel, ammeter & switch mounting	38-47
12	41278	Clip: Speedometer mounting to frame	38-47
13	922004	#10 split L/W 5/pk	38-47
14	754407	#10-32 x 1/2" 5/pk	38-47
15	604005	#10-32 nut 5/pk	38-47
16	922004	#10 lock washer 5/pk	38-47
17	41281-K	Insulating kit: Ammeter terminals, set of 4	38-47
18	922006	1/4 split L/W 5/pk	38-47
19	206007	Bolt 1/4-20 x 1/2" 5/pk	38-47
20	41296	Ammeter: Gray face/red letters	1938

## 1938-47 *Continued*

No.	Part No.	Description	Year
20	41921	Ammeter: Black face, Conn Tel & Elec,	39-40
20	168002	Ammeter: Black face, Hoyt Meter	41-46
20	168002-L	Ammeter: Angled pointer	1947
<p><b>Kiwi Ammeters</b> are of extremely hi quality and are exact reproductions. I know you can buy cheaper but when you want the best Kiwi has it.</p>			
20	168002-R	Ammeter: Universal replacement, black face	38-47
21	920002	#6 flat washer 5/pk	38-47
22	922002	#6 split L/W 5/pk	38-47
23	754105	#6-32 x 3/8" RHMS 5/pk	38-47
24	41401	Ignition switch: Distr ign, gray	1938
24	41841	Ignition switch: Distr ign, chrome bezel	39-40
24	1841002	Ignition switch: Distr ign, universal	41-53
25	161020	Kiwi Indian Key Case, Leather	38-47
<p><b>Note:</b> 1841002 Universal switch will fit 38-53 models  <b>Note:</b> Kiwi manufactured 39-53 ignition switches have upgraded internals that last far longer than original switches.</p>			

**161020 - KIWI Indian Key Case in leather. Protects the dash against key scratches.**

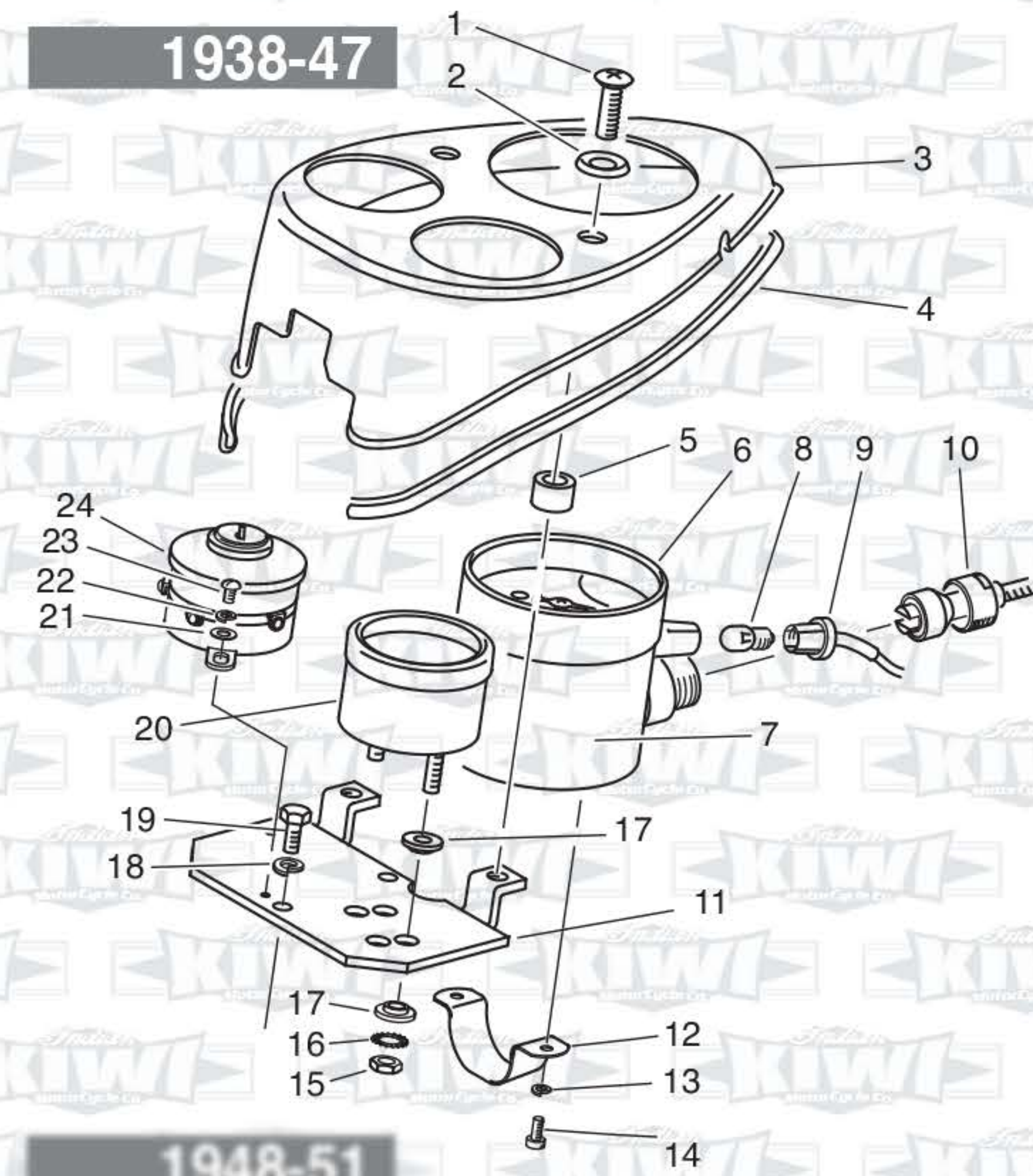


## 1948-51

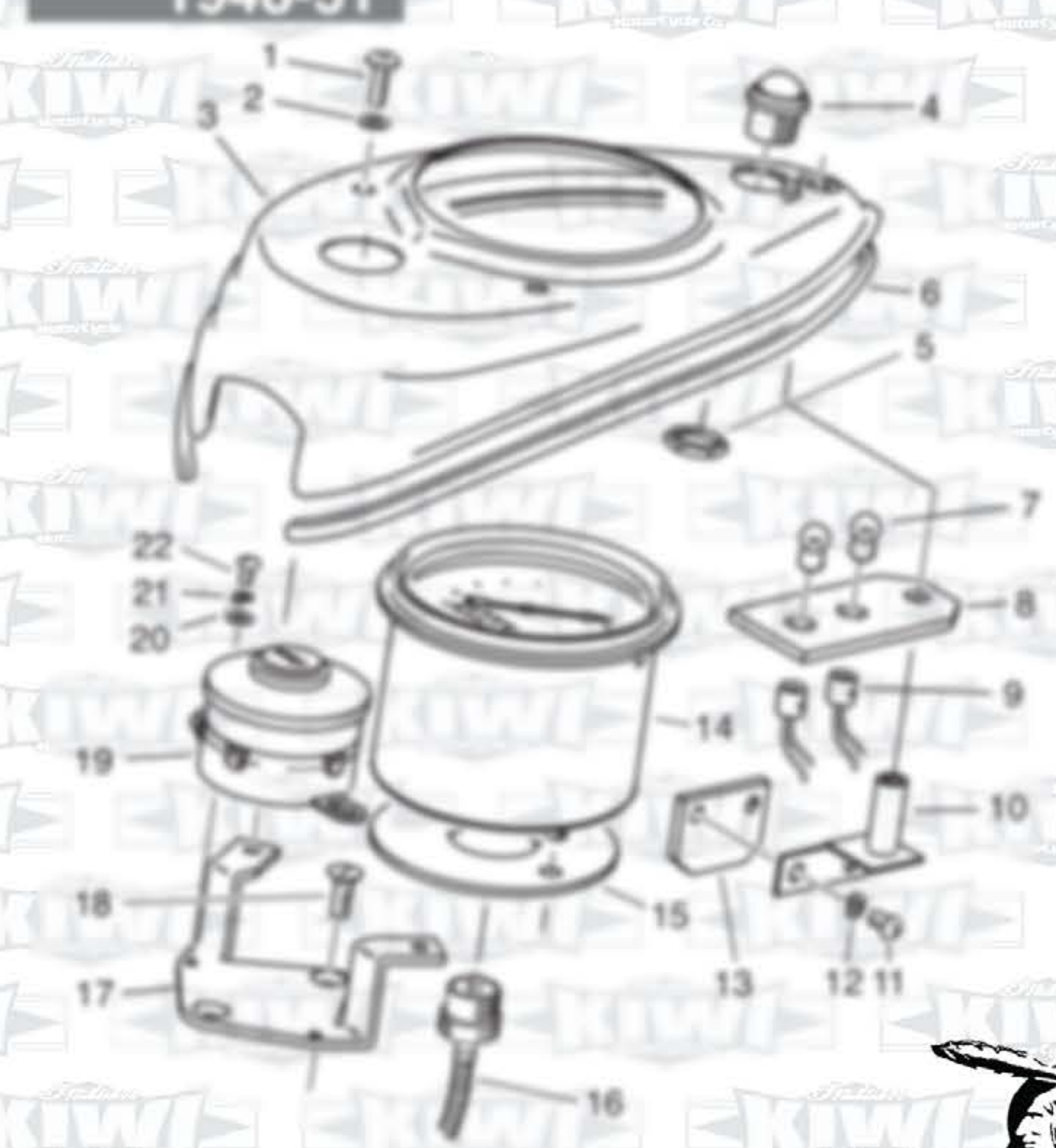
No.	Part No.	Description	Year
1	757002-K	Screw kit: Panel mounting, stainless, set of 3	48-53
2	757002-W	Anti marking washers: Set of 3	48-53
<p><b>Note:</b> This is not stock but these nice protective washers save your chrome from getting scratched</p>			
3	629004	Panel: Steel, chrome	48-53
4	545007	Lens: Generator warning light, incl #5	48-53
5		Nut: Included with lens	48-53
6	832002	Rubber strip: Panel	48-53
7	243004	Bulb: Generator warning, 6v	48-53
7	243004-V	Bulb: Generator warning light, 12v	48-53
7	243004	Bulb: Speedo, 6v	48-51
7	263004-V	Bulb: speedo, 12v	48-51
8	628005	Pad: Bulb socket mounting	48-53
9	799005	Socket: Bulb, generator warning light	48-53
9	799005	Socket: Bulb, Speedo, 6v	48-51
10	237038	Bracket: Rear panel and bulb pad mounting	48-53
11	754403	Screw: RHMS #10-32 x 1/4" 5/pk	48-53
12	922004	Lock washer #10 5/pk	48-53
13	KI-10905	Bracket: Welds to frame	48-53

# INSTRUMENT PANELS

## 1938-47



## 1948-51



## 1948-51

No.	Part No.	Description	Year
14	804010	Speedometer: Requires 277005R cable	1948
14	804010	Speedometer: Requires 277001R cable	50-51
14	804001-REL	Speedometer: Replacement electronic with pick up sensor	48-51
15	KI-11502	Shock pad: Incl with #14	48-51
16	277005	Cable: Fits original speedo	1948
16	277005-R	Cable: Fits reproduction speedo	1948
16	1277001	Cable: Fits original speedo	50-51
16	1277001-R	Cable: Fits reproduction speedo	50-51
17	237034	Bracket: Front panel & switch mounting	48-53
18	750607-K	Screw kit: Flat Hd 1/4-20 x 1/4"	48-53
19	1841002	Ignition switch: Distr ign, universal	48-53
<p><b>Note:</b> Kiwi manufactured 48-53 ignition switches have upgraded internals that last far longer than original switches.</p>			
20	920002	#6 flat washer 5pk	48-53
21	922002	#6 split L/W 5pk	48-53
22	754105	#6-32 x 1/4" RHMS 5pk	48-53



1940 instrumentation



161020 - KIWI Indian Key Case in leather. Protects the dash against key scratches.



1948-53 Instrumentation with 804001-REL Kiwi Electronic Speedometer

